

NOTES:

- MATERIAL:
 - HOUSING: THERMOPLASTIC, HIGH TEMP., UL94V-0
 - CONTACT: COPPER ALLOY
 - FITTING NAIL: COPPER ALLOY
- FINISH:

PLS SEE PLATING CODE(P/N LEGEND)
- REFLOW SOLDER CAPABLE TO 260°C PER ACES SPEC.
- SPEC. PLS. REFER TO SPEC-50620-XXXXX-XXX
- PACKAGE PLS. REFER TO 91500-XXX1-TRP OR 91500-XXXXX-U-TRP
- PART NUMBER

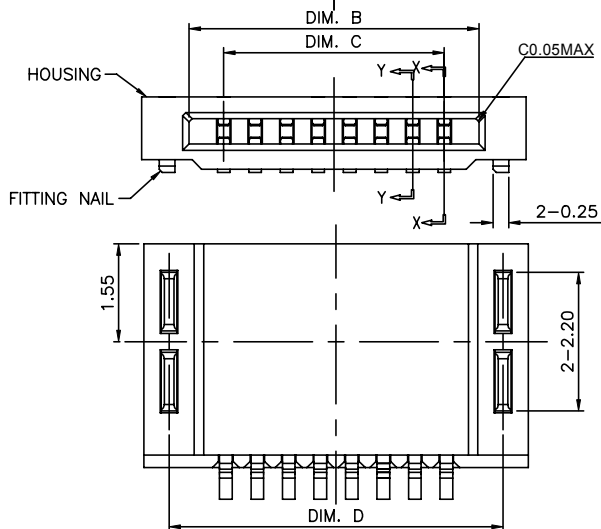
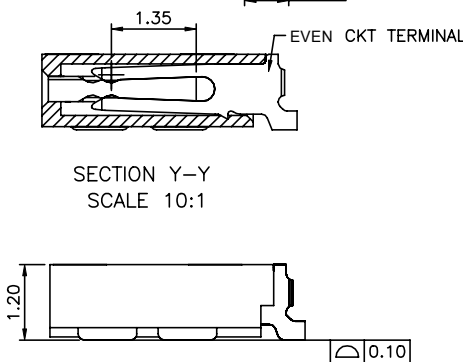
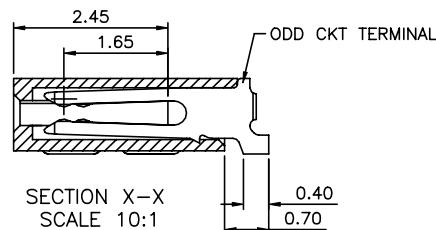
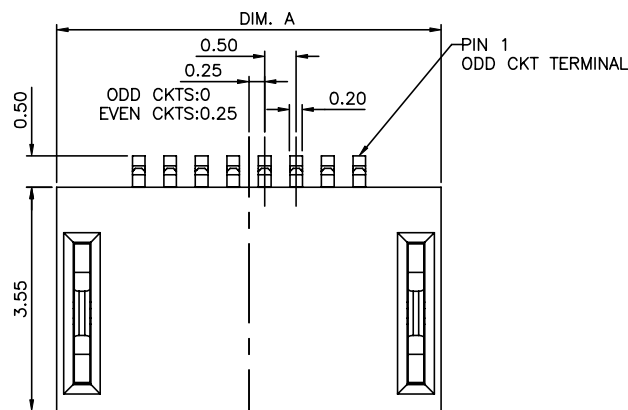
50620-XXX X X-XXX

NO. OF CKT

XXX	Housing MAT.	Housing Color.	Halogen Free
001	LCP	WHITE	HF
S01	LCP	WHITE	HF
002	LCP	WHITE	HF

PACKING:
0: TAPE & REEL
1: TUBE PACKAGE

PLATING:
1:G/F OVER ALL(LEAD FREE)
N:MATT TIN(LEAD FREE)
4:3u" GOLD ON CONTACT



CKT	DIM. A	DIM. B	DIM. C	DIM. D	CKT	DIM. A	DIM. B	DIM. C	DIM. D
4	4.1	2.6	1.5	3.3	28	16.1	14.6	13.5	15.3
5	4.6	3.1	2.0	3.8	29	16.6	15.1	14.0	15.8
6	5.1	3.6	2.5	4.3	30	17.1	15.6	14.5	16.3
7	5.6	4.1	3.0	4.8	31	17.6	16.1	15.0	16.8
8	6.1	4.6	3.5	5.3	32	18.1	16.6	15.5	17.3
9	6.6	5.1	4.0	5.8	33	18.6	17.1	16.0	17.8
10	7.1	5.6	4.5	6.3	34	19.1	17.6	16.5	18.3
11	7.6	6.1	5.0	6.8	35	19.6	18.1	17.0	18.8
12	8.1	6.6	5.5	7.3	36	20.1	18.6	17.5	19.3
13	8.6	7.1	6.0	7.8	37	20.6	19.1	18.0	19.8
14	9.1	7.6	6.5	8.3	38	21.1	19.6	18.5	20.3
15	9.6	8.1	7.0	8.8	39	21.6	20.1	19.0	20.8
16	10.1	8.6	7.5	9.3	40	22.1	20.6	19.5	21.3
17	10.6	9.1	8.0	9.8	41	22.6	21.1	20.0	21.8
18	11.1	9.6	8.5	10.3	42	23.1	21.6	20.5	22.3
19	11.6	10.1	9.0	10.8	43	23.6	22.1	21.0	22.8
20	12.1	10.6	9.5	11.3	44	24.1	22.6	21.5	23.3
21	12.6	11.1	10.0	11.8	45	24.6	23.1	22.0	23.8
22	13.1	11.6	10.5	12.3	46	25.1	23.6	22.5	24.3
23	13.6	12.1	11.0	12.8	47	25.6	24.1	23.0	24.8
24	14.1	12.6	11.5	13.3	48	26.1	24.6	23.5	25.3
25	14.6	13.1	12.0	13.8	49	26.6	25.1	24.0	25.8
26	15.1	13.6	12.5	14.3	50	27.1	25.6	24.5	26.3
27	15.6	14.1	13.0	14.8					

QUALITY SYMBOLS MAJOR Ⓢ CRITICAL Ⓢ	DRAWN BY Huang,ShunSen DATE 22/03/09	
GENERAL TOLERANCES (UNLESS SPECIFIED)	CHECKED BY Lu, Jing Quan DATE 22/03/09	
X ±0.5 .X ±0.25 .XX ±0.15 .XXX ±0.1 ANGLES ±2°	APPROVED BY hsieh, fu yu DATE 22/03/09	TITLE 0.5mm PITCH NON-ZIF FPC Conn. SMT R/A D/C Type
	UNITS mm	SIZE A4
	SCALE 1:1	REV E
	SHEET NO. 1 OF 1	RFQ NO. N/A
		DWG NO. 50620-XXXXX-XXX